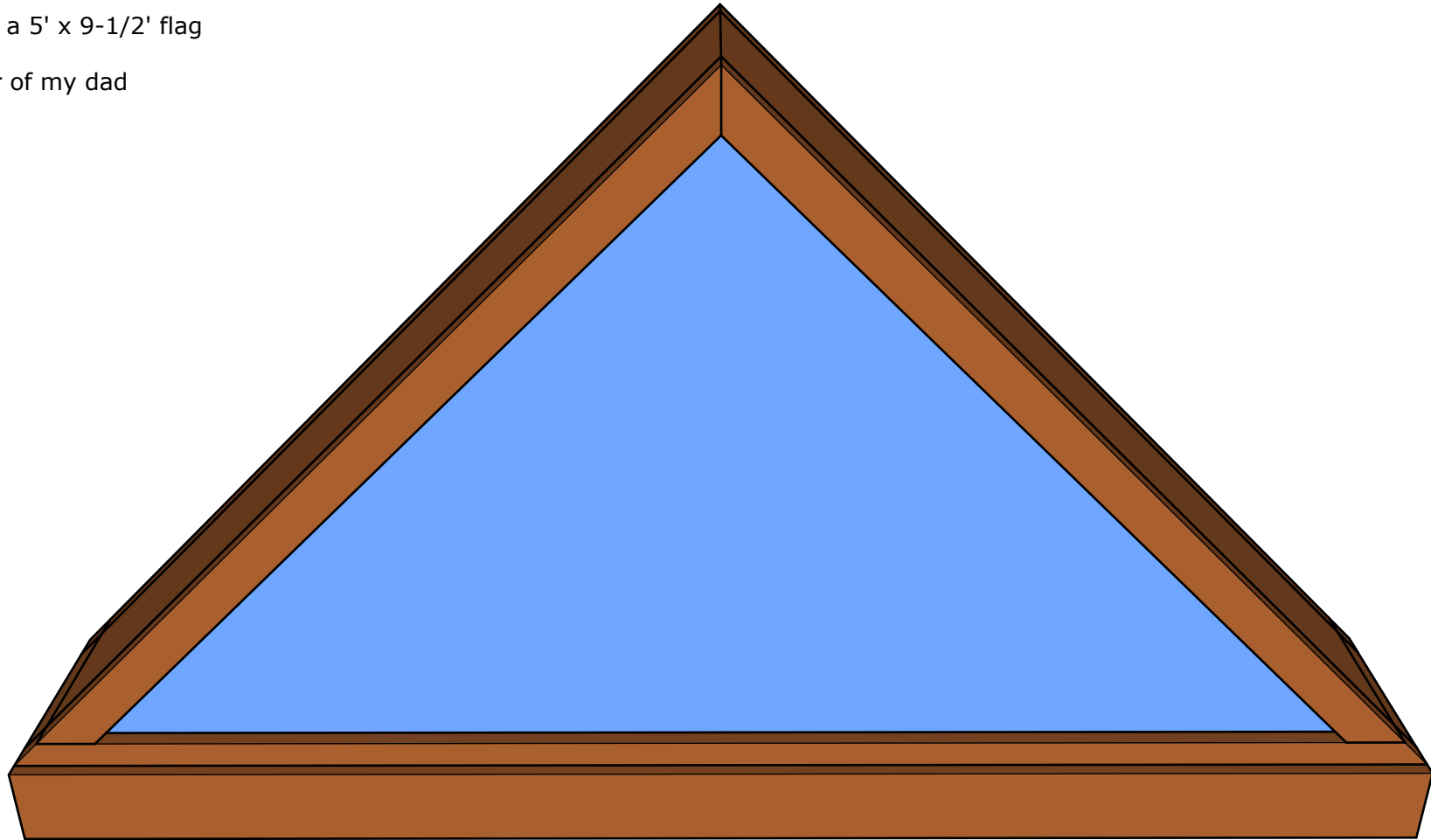


# Flag case

Case for a 5' x 9-1/2' flag

In honor of my dad



For more details, refer to: <http://www.shigshop.com/flag-case.html>

# Exploded view

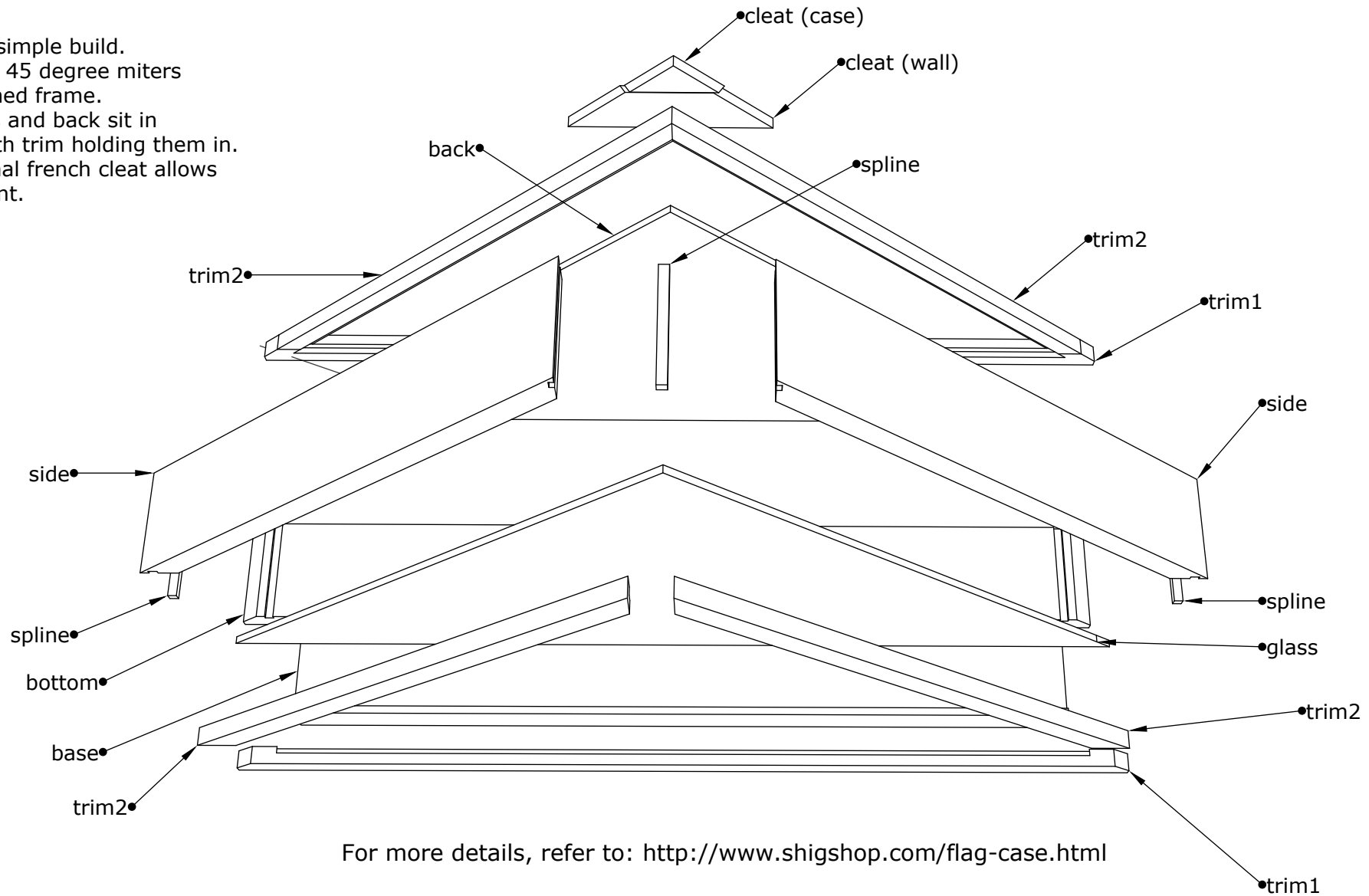
## Notes:

This is a simple build.

It utilizes 45 degree miters on a splined frame.

The glass and back sit in dados with trim holding them in.

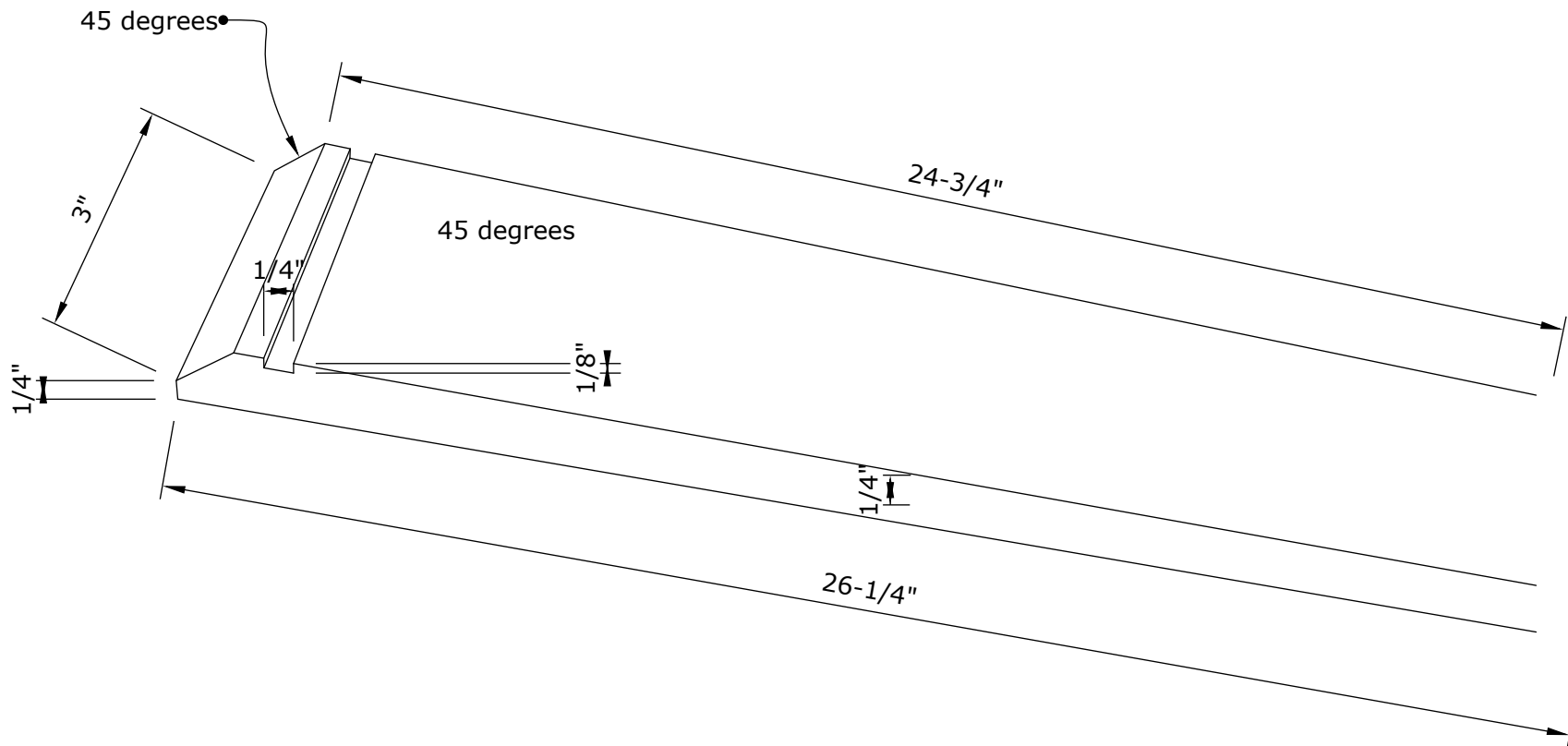
An optional french cleat allows wall mount.



## Bottom

Note:

- Use 3/4" x 3-3/8" stock.
- After the frame is assembled, cut the panel and glass dados on the front and rear edges. Use router for as much as possible, and finish with chisel
- Use tablesaw to cut the spline dados.

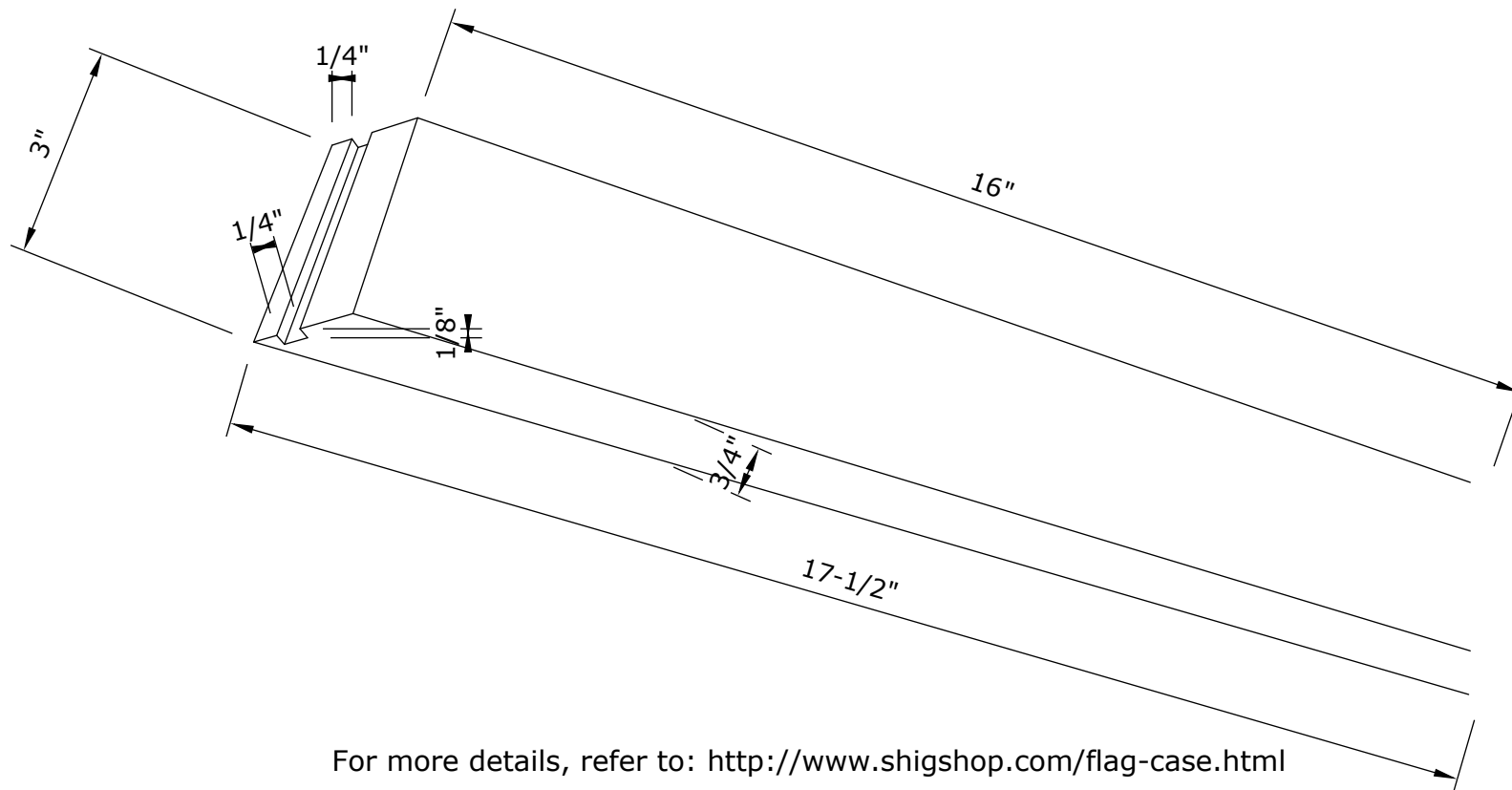


For more details, refer to: <http://www.shigshop.com/flag-case.html>

## Sides (2 required)

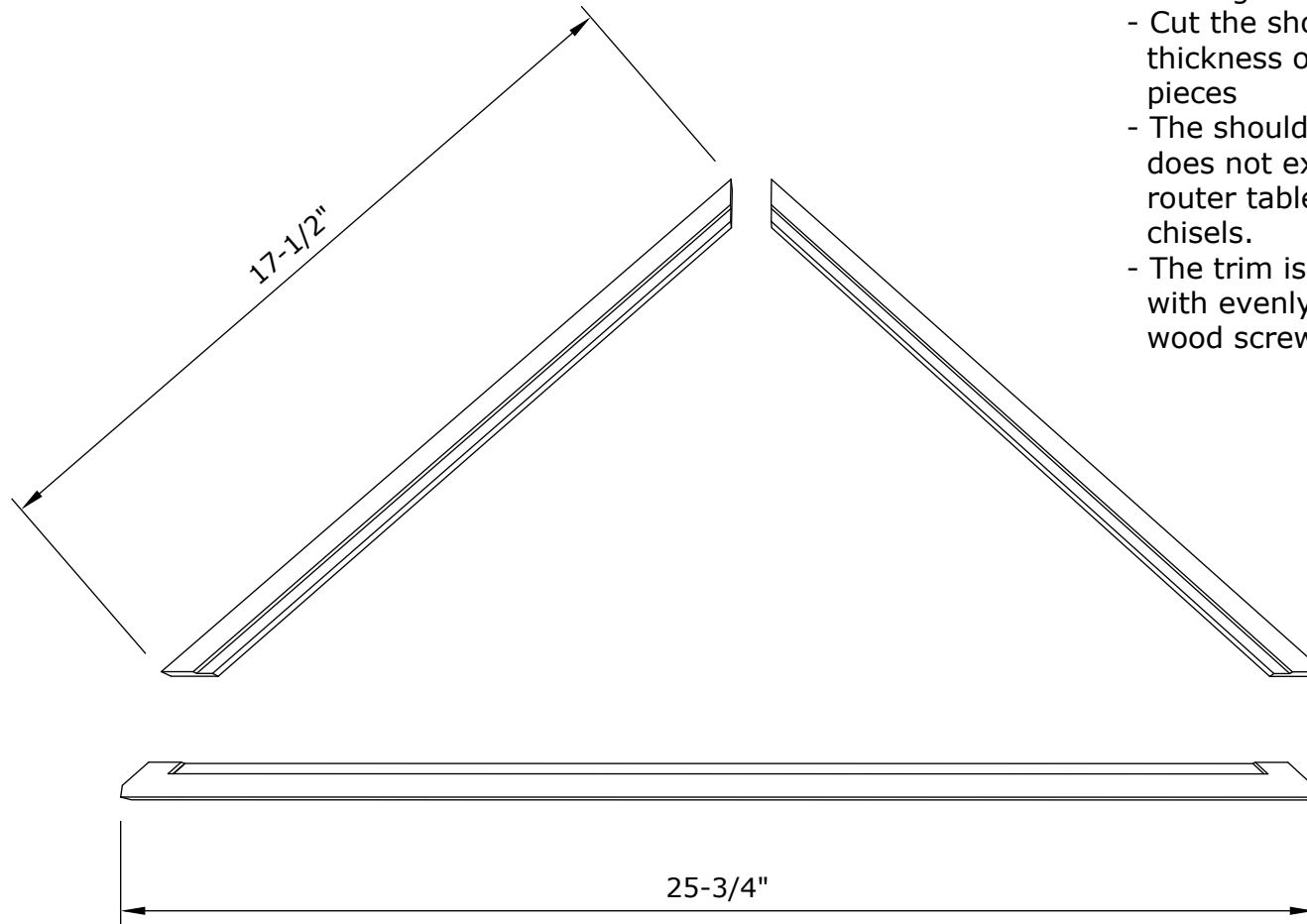
Note:

- Use 3/4" x 3-3/8" stock.
- After the frame is assembled, cut the panel and glass dados on the front and rear edges. Use router for as much as possible, and finish with chisel
- Use guide on tablesaw to cut the spline dados.



For more details, refer to: <http://www.shigshop.com/flag-case.html>

## Trim (2 bottom and 4 sides required)



### Note:

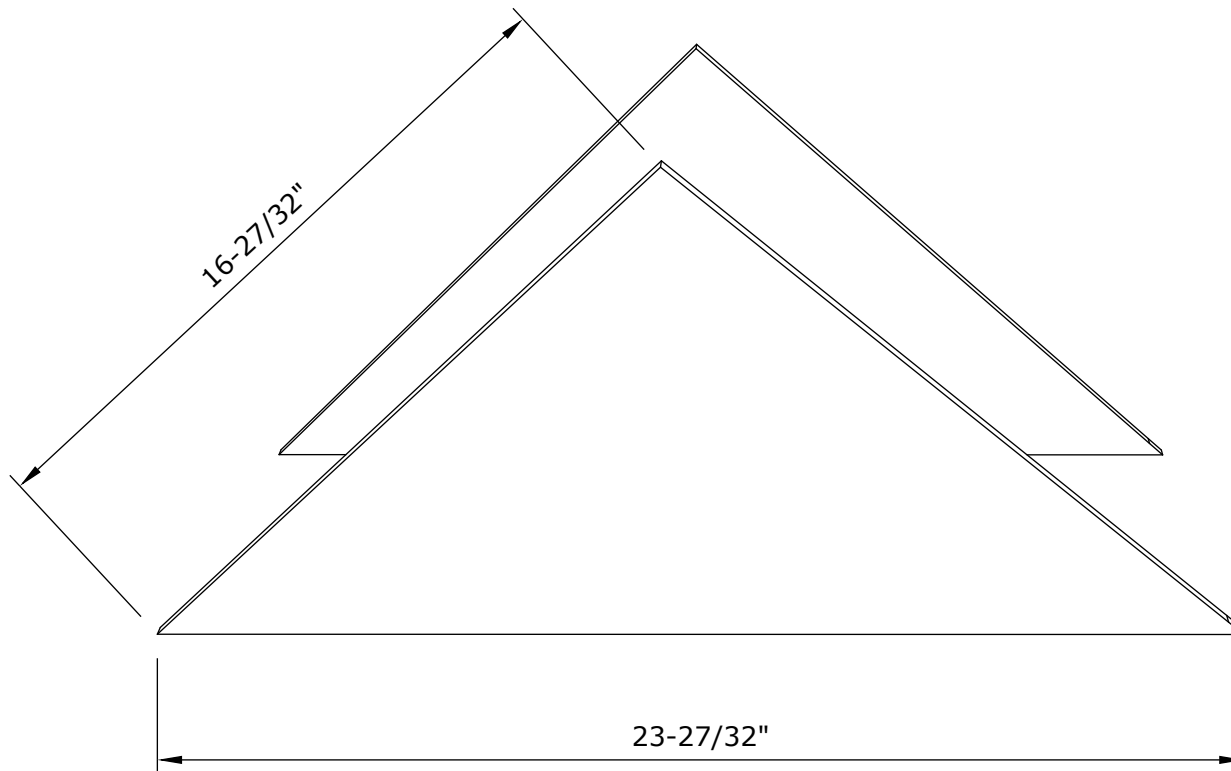
- Use 3/4" x 1/2" stock
- 45 degree miters on all ends
- Cut the shoulder depth to the thickness of your glass and back pieces
- The shoulder on bottom trim does not extend to the end. I used a router table and finished it up with chisels.
- The trim is screwed onto the frame with evenly spaced countersunk wood screws.

Note: Make bottom trim 26-1/4" long  
For more details, refer to: <http://www.shigshop.com/flag-case.html>  
and trim corners later.

## Glass and back

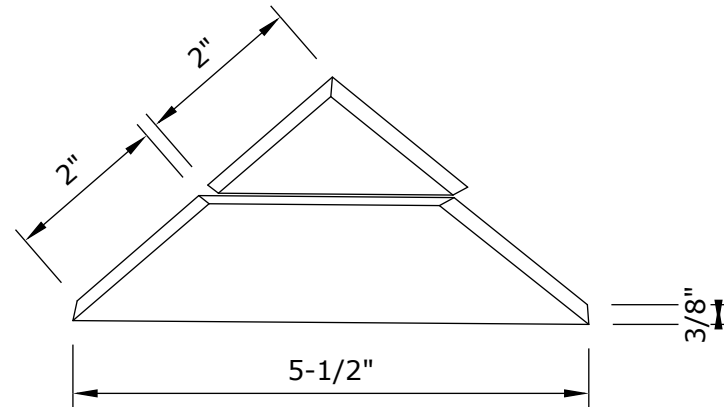
Notes:

- The glass and back have the same dimensions.
- The dados assume 3/16" thickness - measure your pieces for exact depths.
- Cut them slightly small for an easier fit up.



For more details, refer to: <http://www.shigshop.com/flag-case.html>

## Cleat and splines

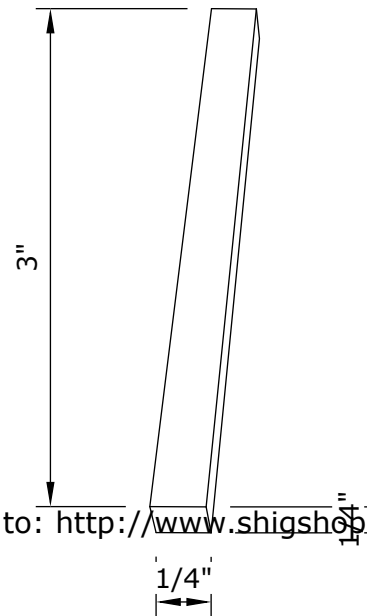


### Note:

- 3 splines required.

### For cleat:

- Make 1 block with 4" sides and cut it at an angle to get the top and bottom pieces to work as a french cleat.
- The top cleat is attached to the case and the bottom cleat is attached to a wall.

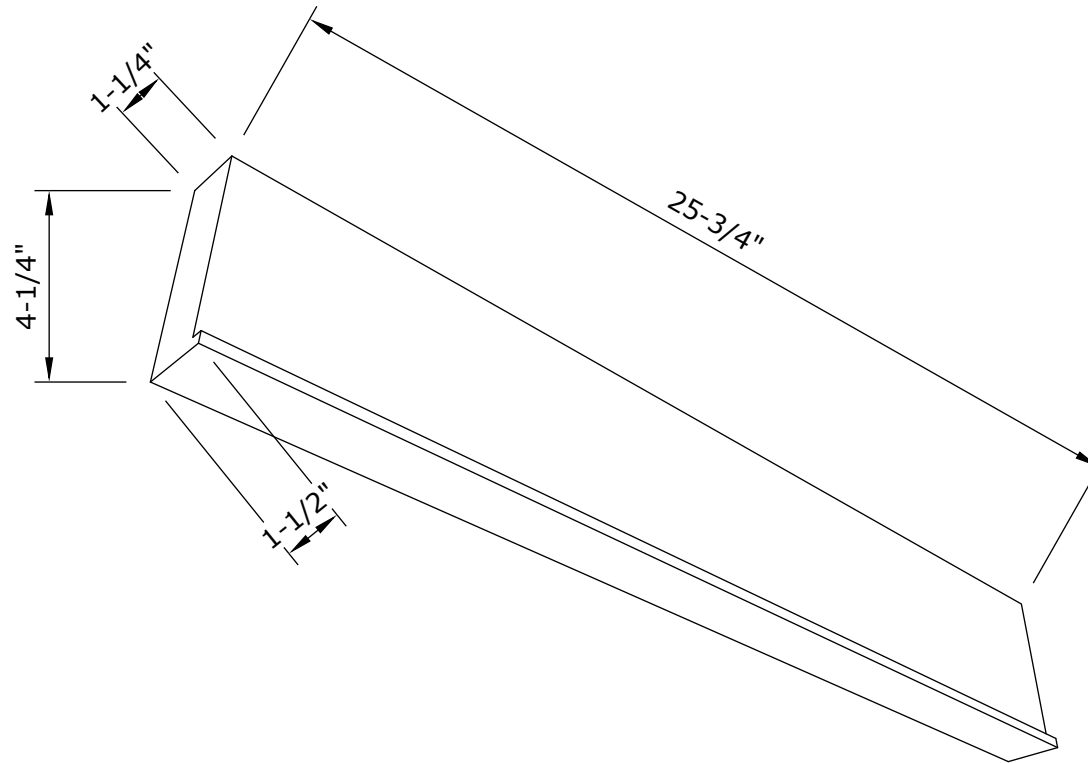


For more details, refer to: <http://www.shigshop.com/flag-case.html>

## Base

### Notes:

- For the shoulder, I glued a 1/4" (thick x 1-1/2" wide) piece onto 1-1/4" (thick) x 4" (wide) piece.
- The base is attached to the bottom with 2 wood screws from inside the case. I had to put these screws in at an angle.



For more details, refer to: <http://www.shigshop.com/flag-case.html>