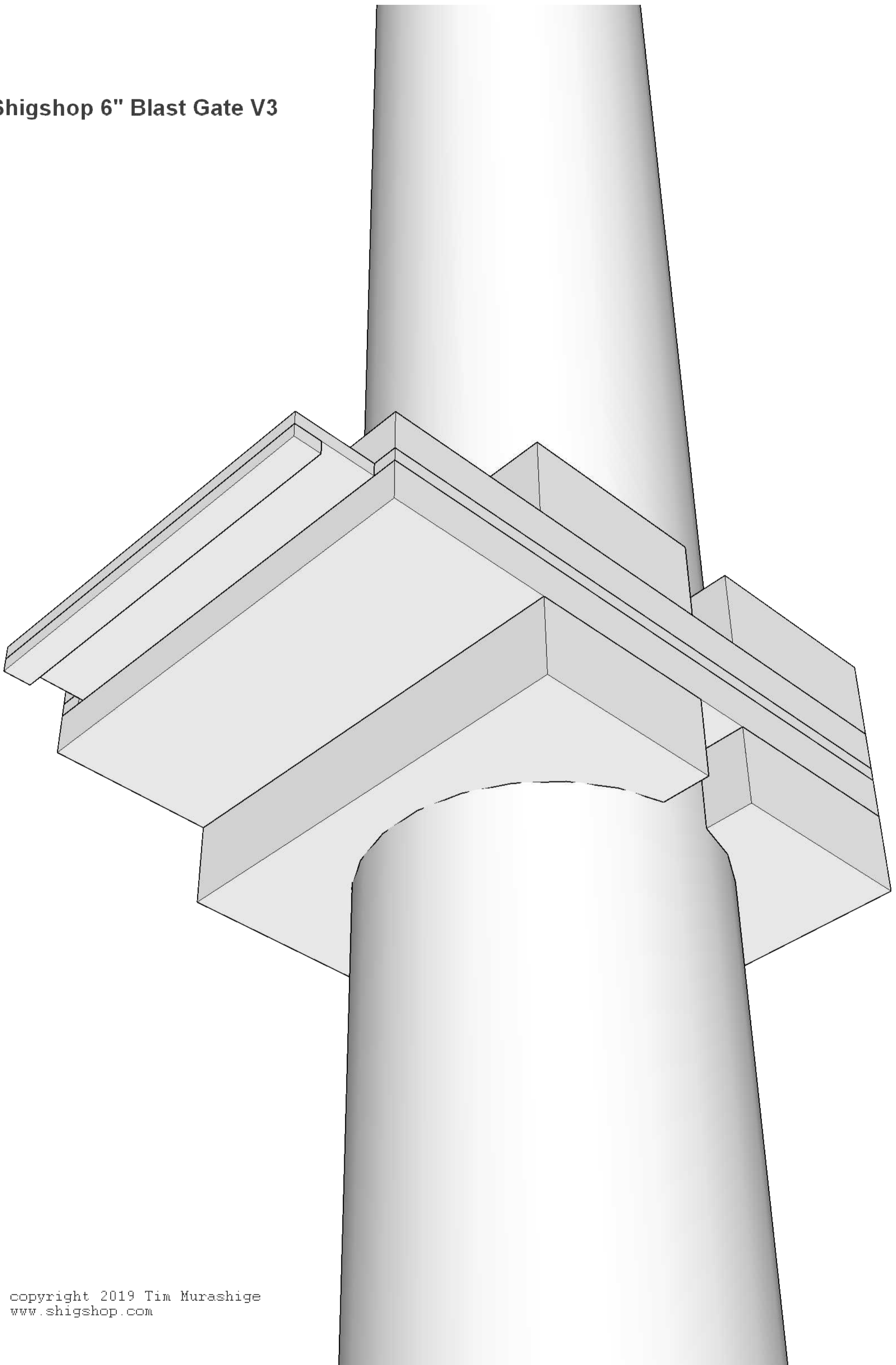
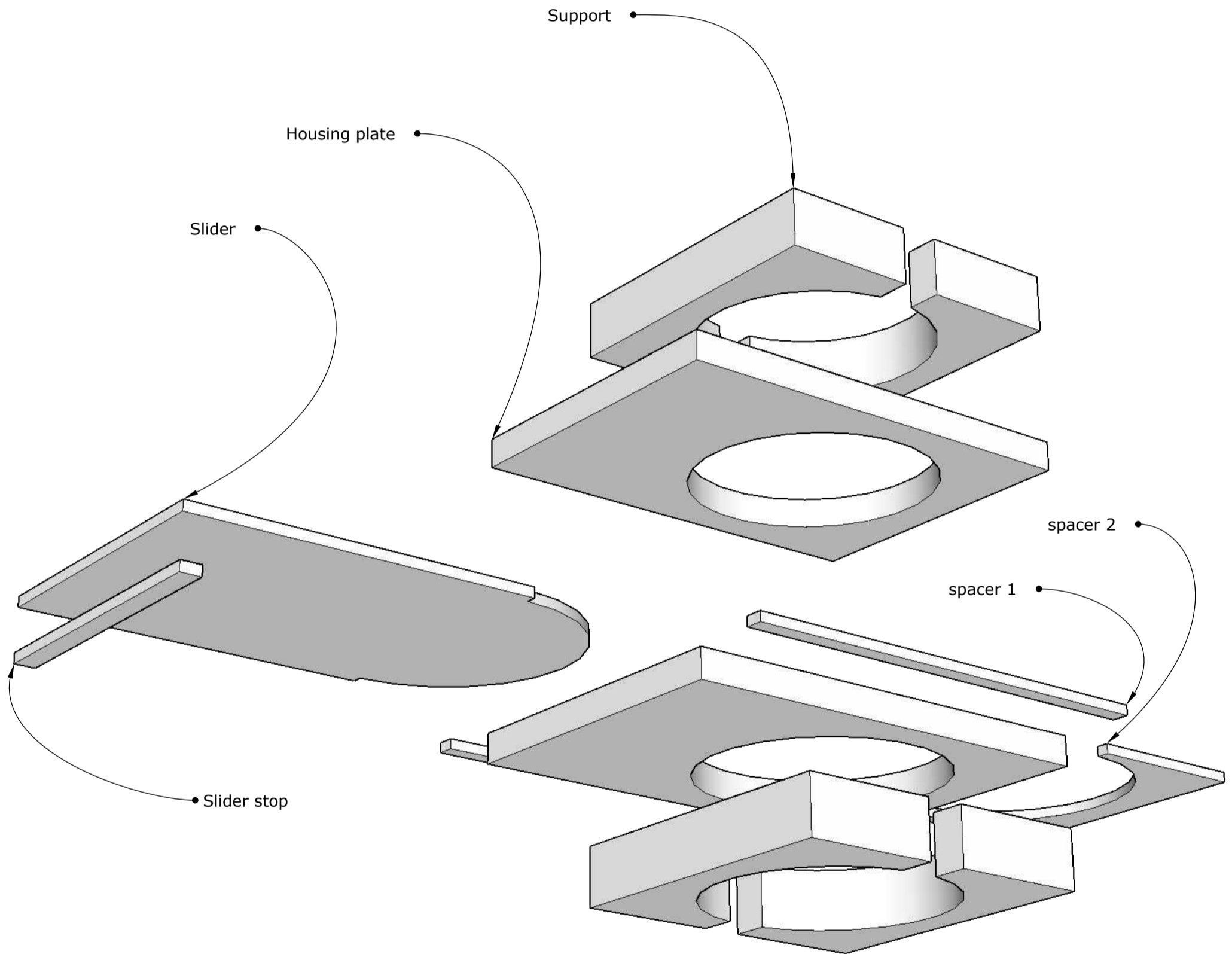


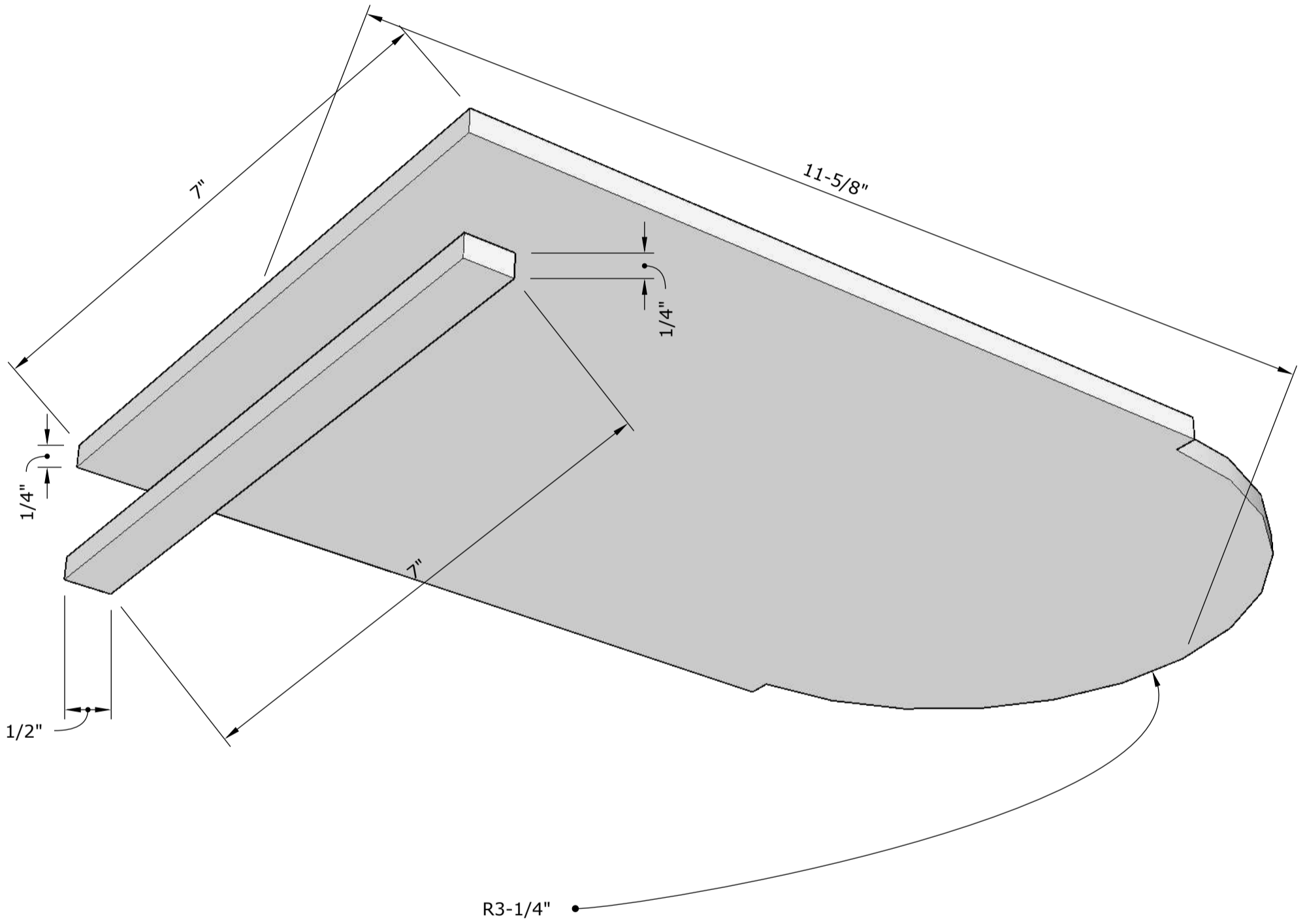
Shigshop 6" Blast Gate V3



Exploded

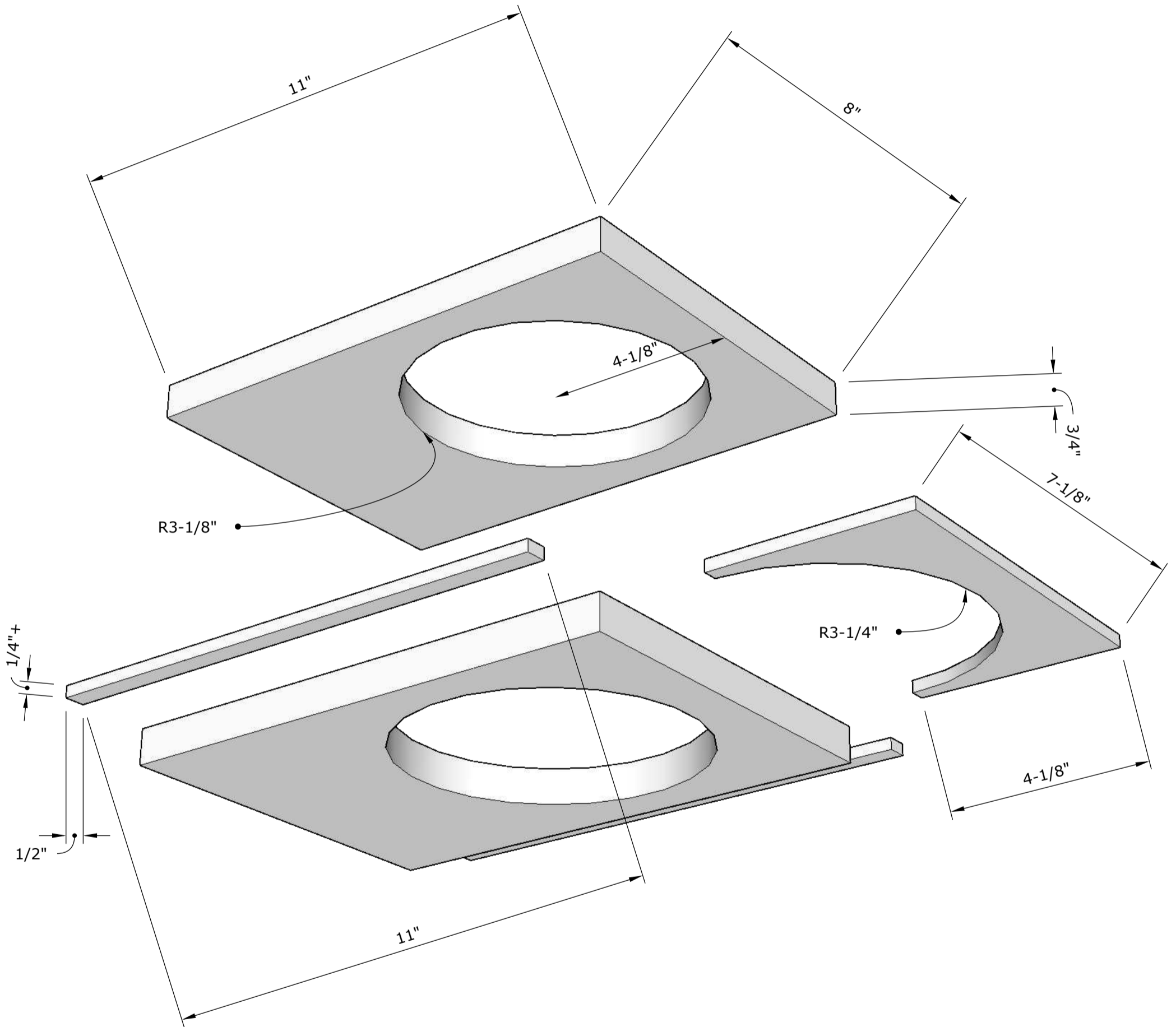


Slider

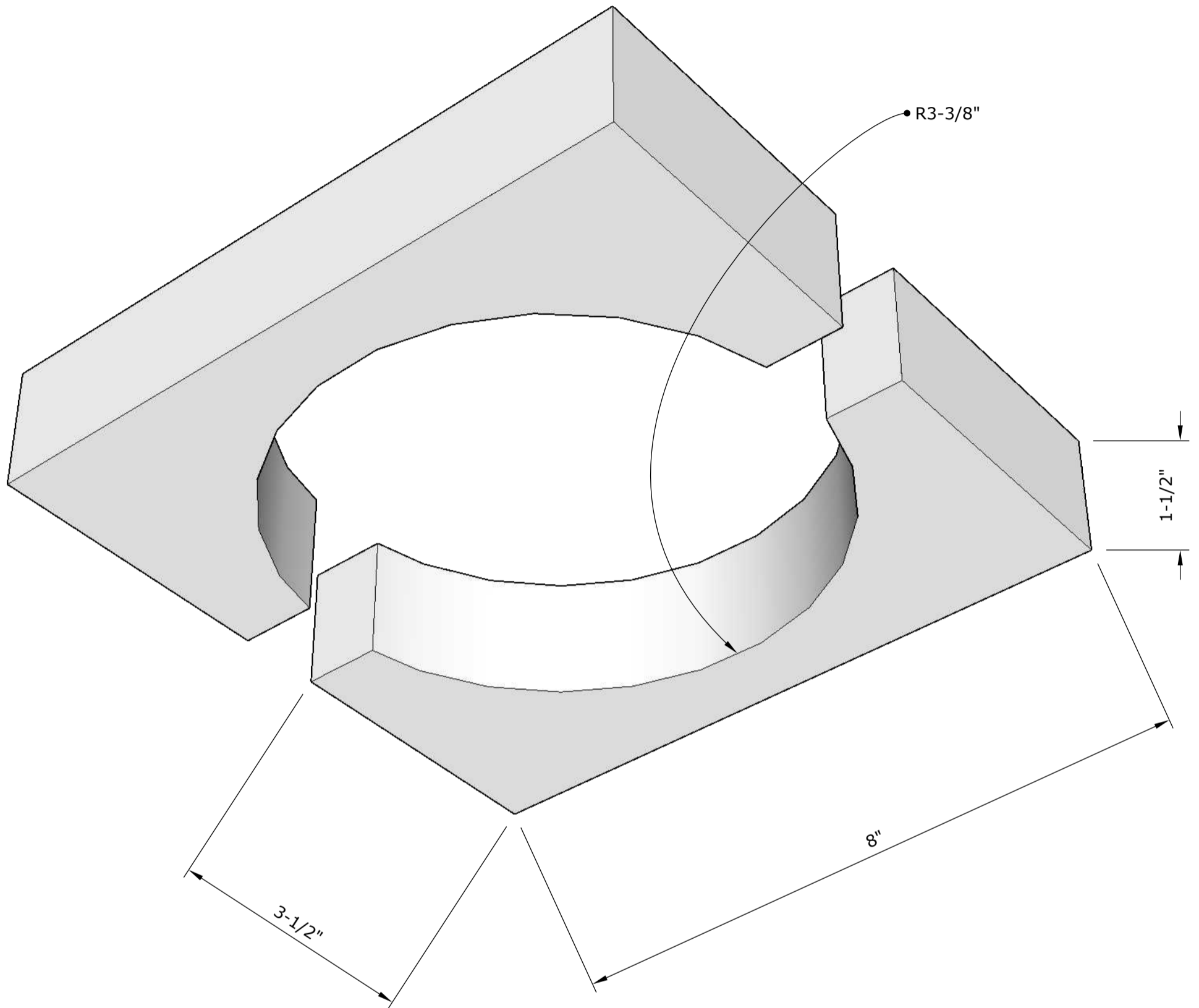


Housing

Note:
Make spacers slightly thicker than slider



Supports



Notes:

- 4 are required - 2 for top and 2 for bottom of housing
- Make radius the same as the outer diameter of pipe