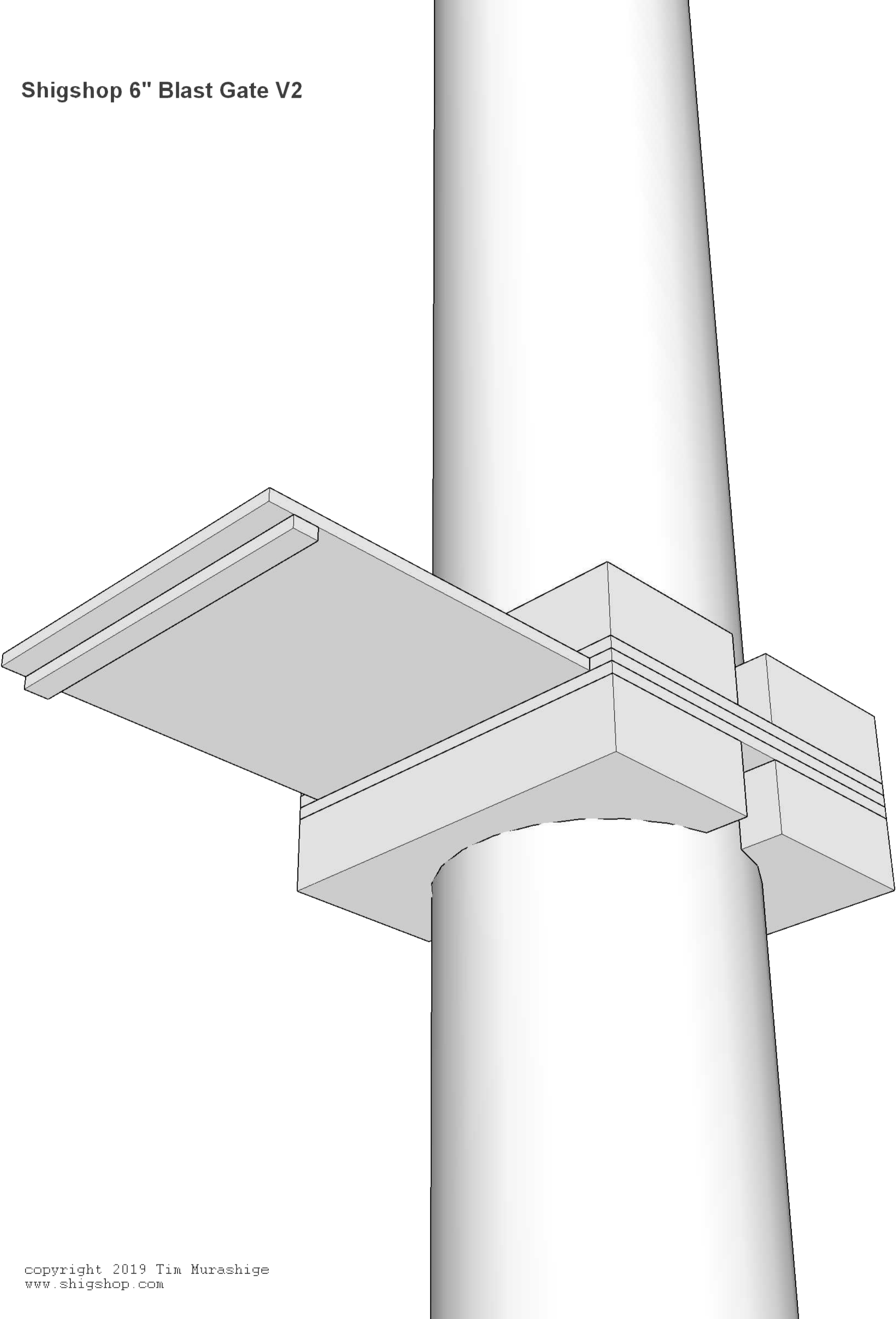
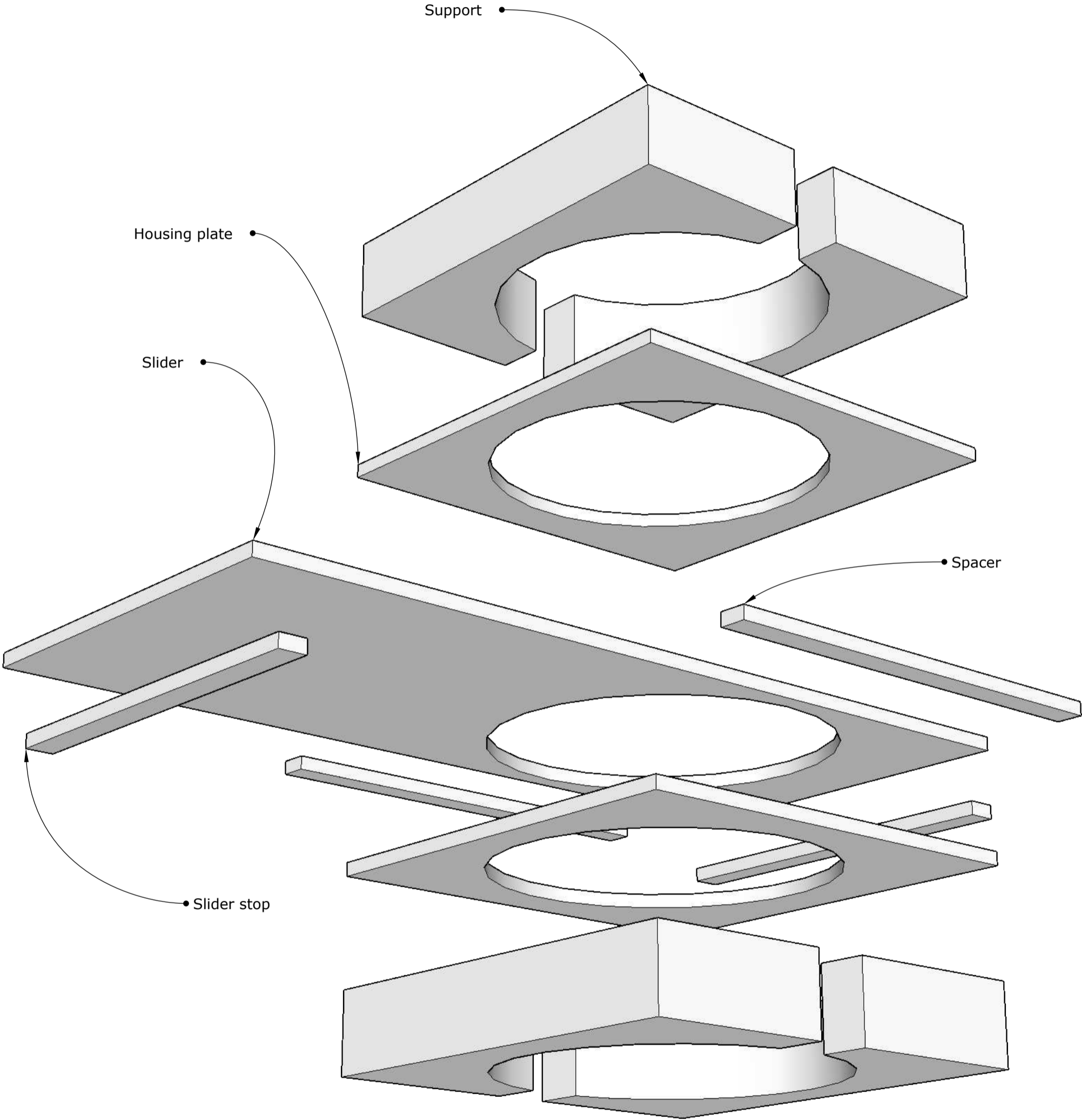


Shigshop 6" Blast Gate V2

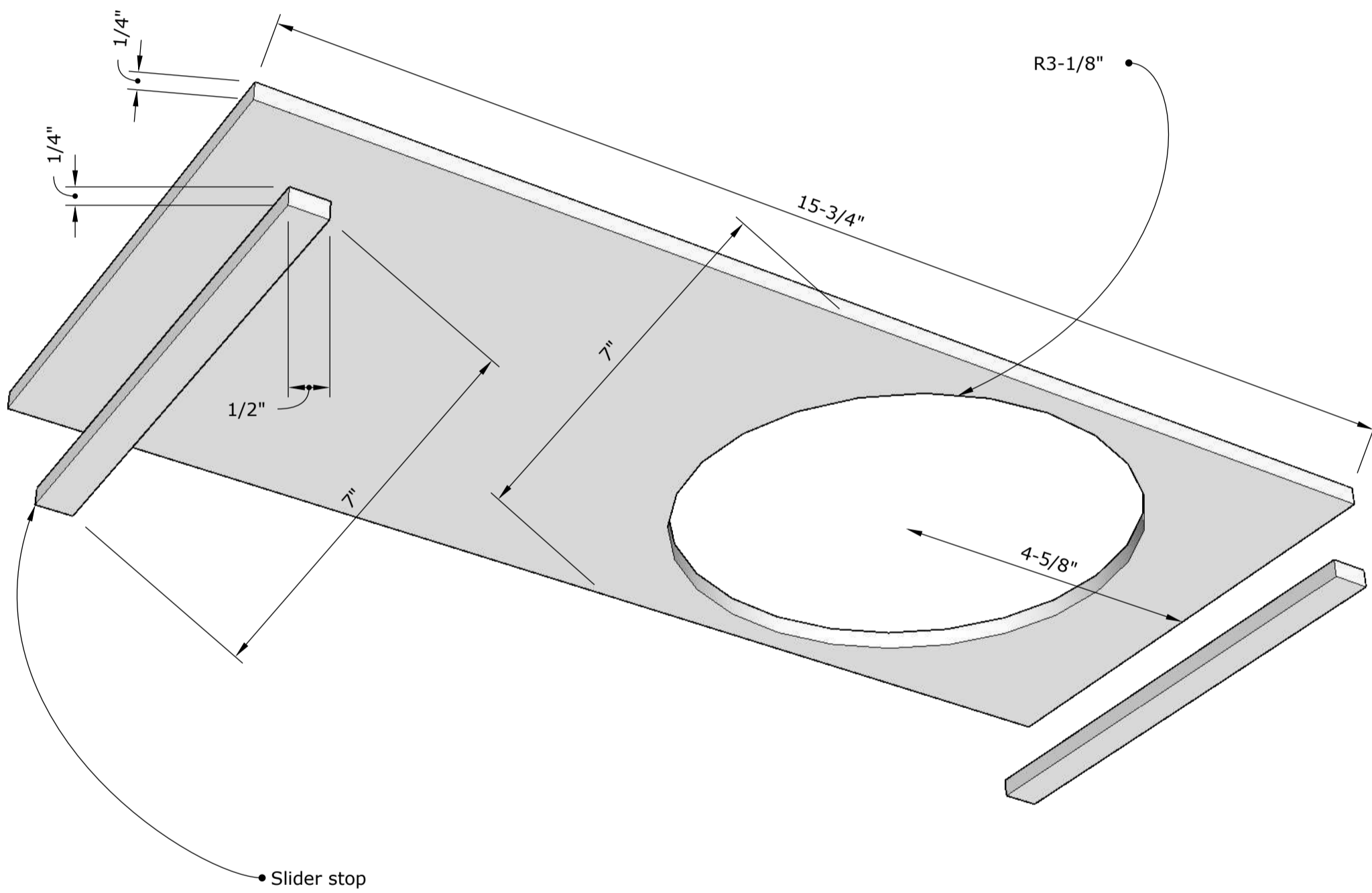


Exploded



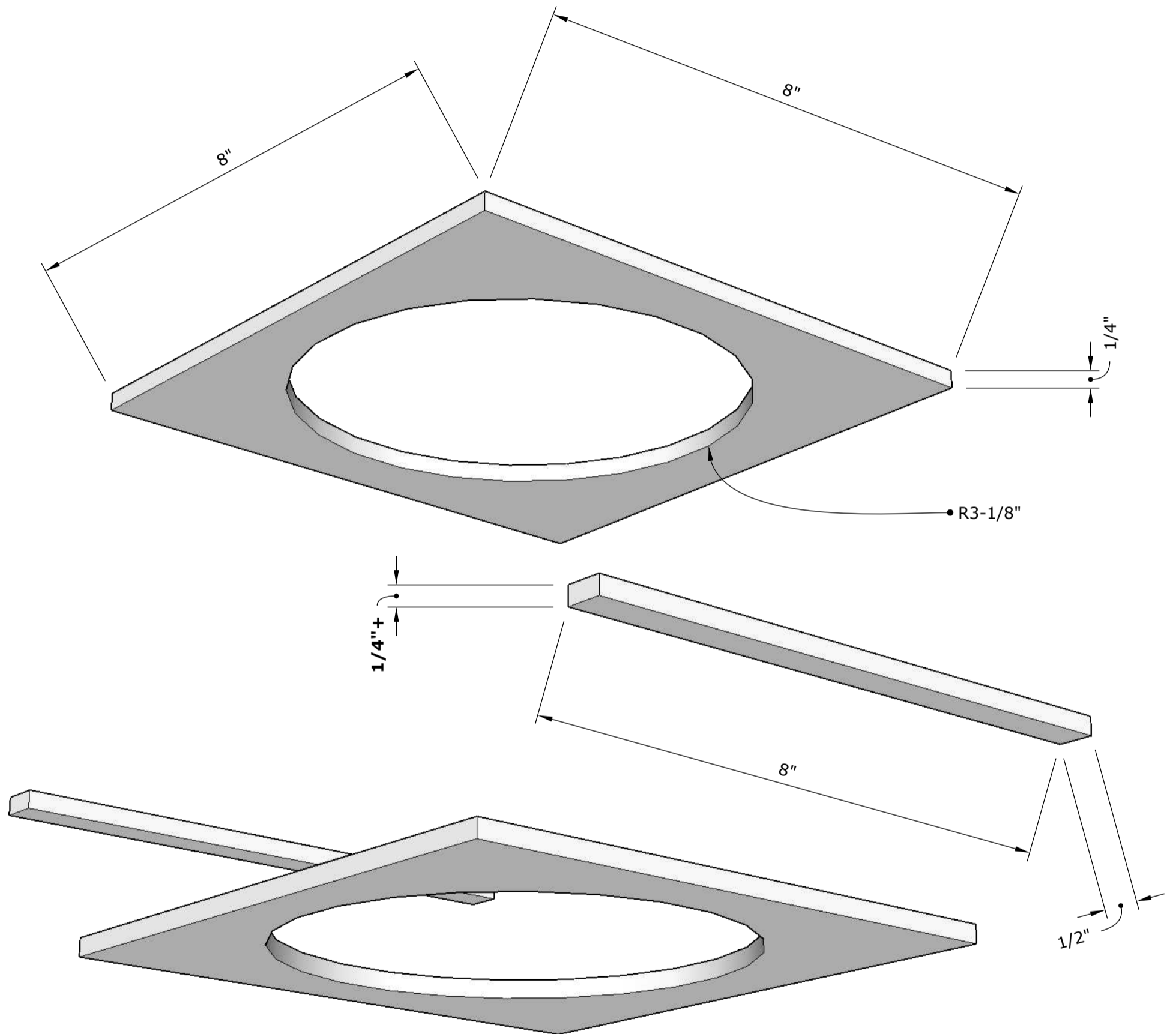
Slider

Note:
Attach slider stops after housing is assembled.

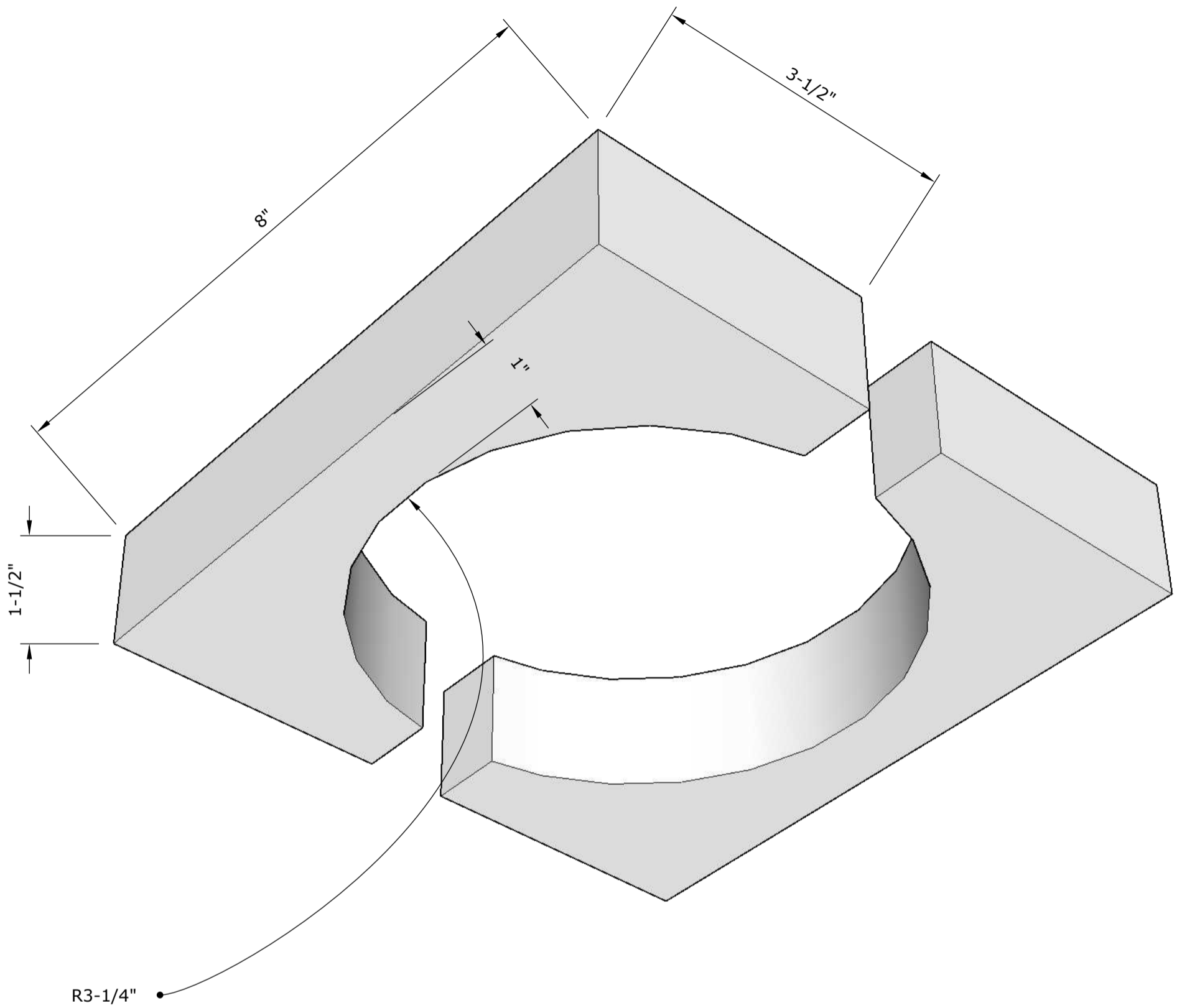


Housing

Notes:
Make the spacers slightly thicker than the slider



Supports



Notes:
4 supports are required - 2 for the top and 2 for the bottom

